



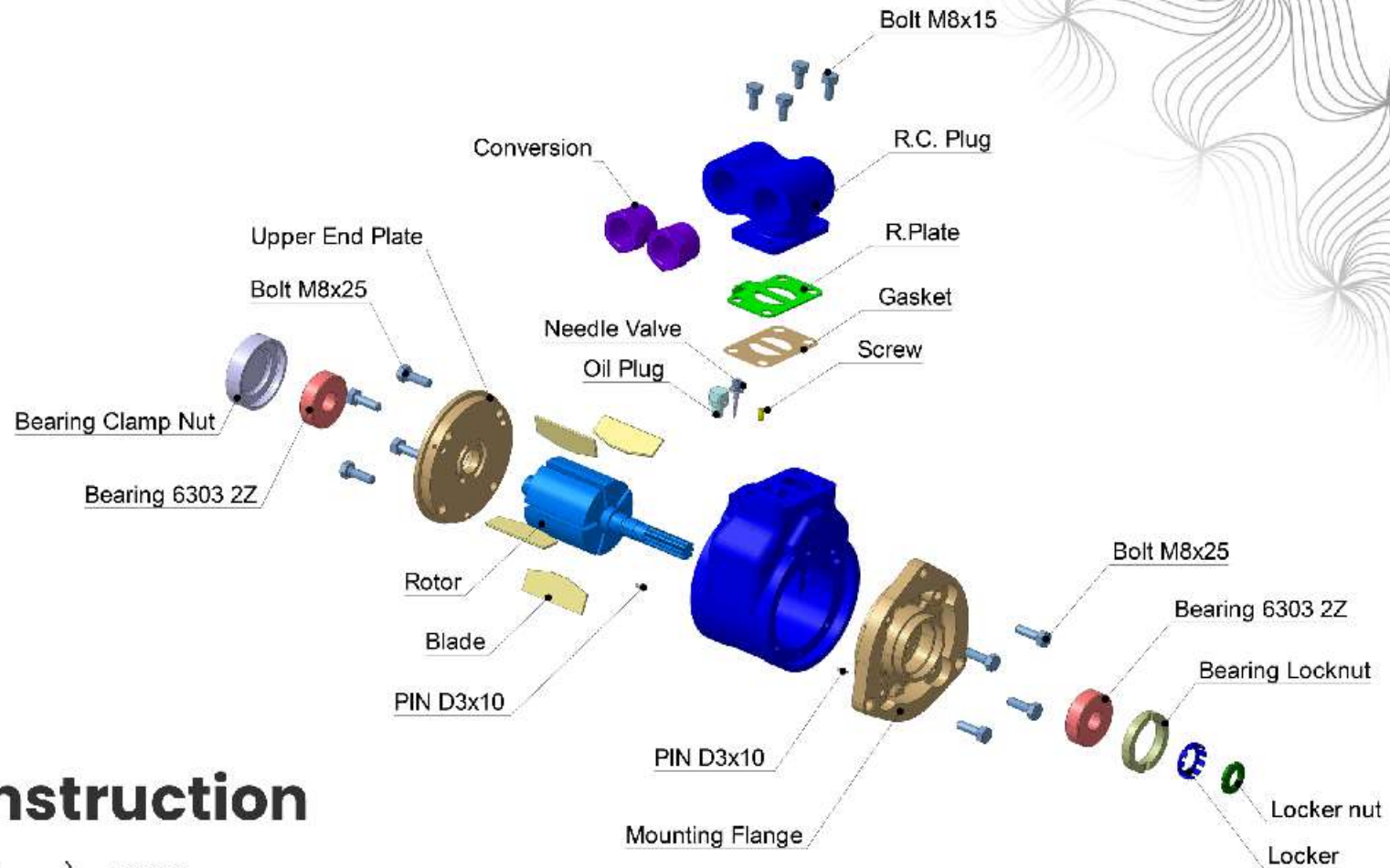
PIONEERKA

Engineering & Manufacturing Group

Air Motor Type A



Visit Our
Website



Typical Construction

Maximum Speed(Rpm): **4000**

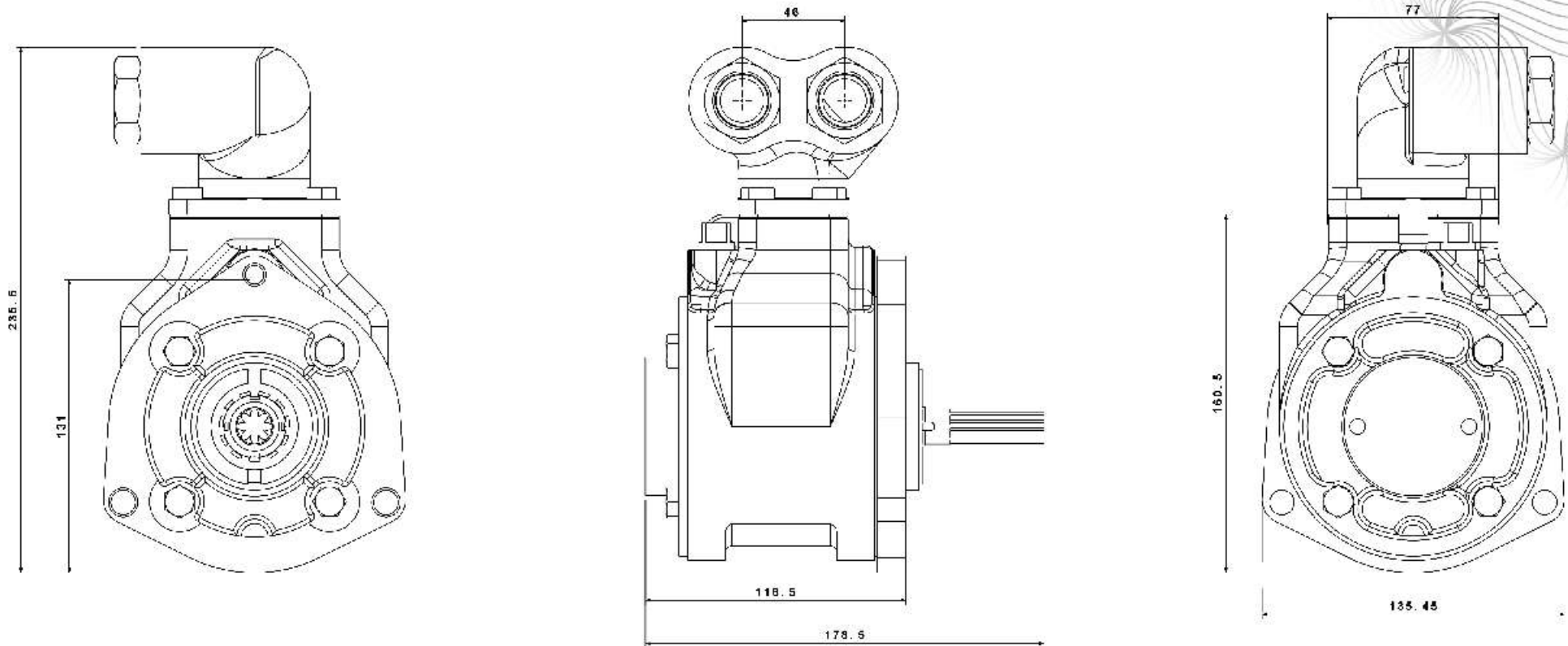
Maximum Start Torque (N/M): **8**

Air Flow Rate (L/S): **50**

Maximum Power (Kw): **2.2**

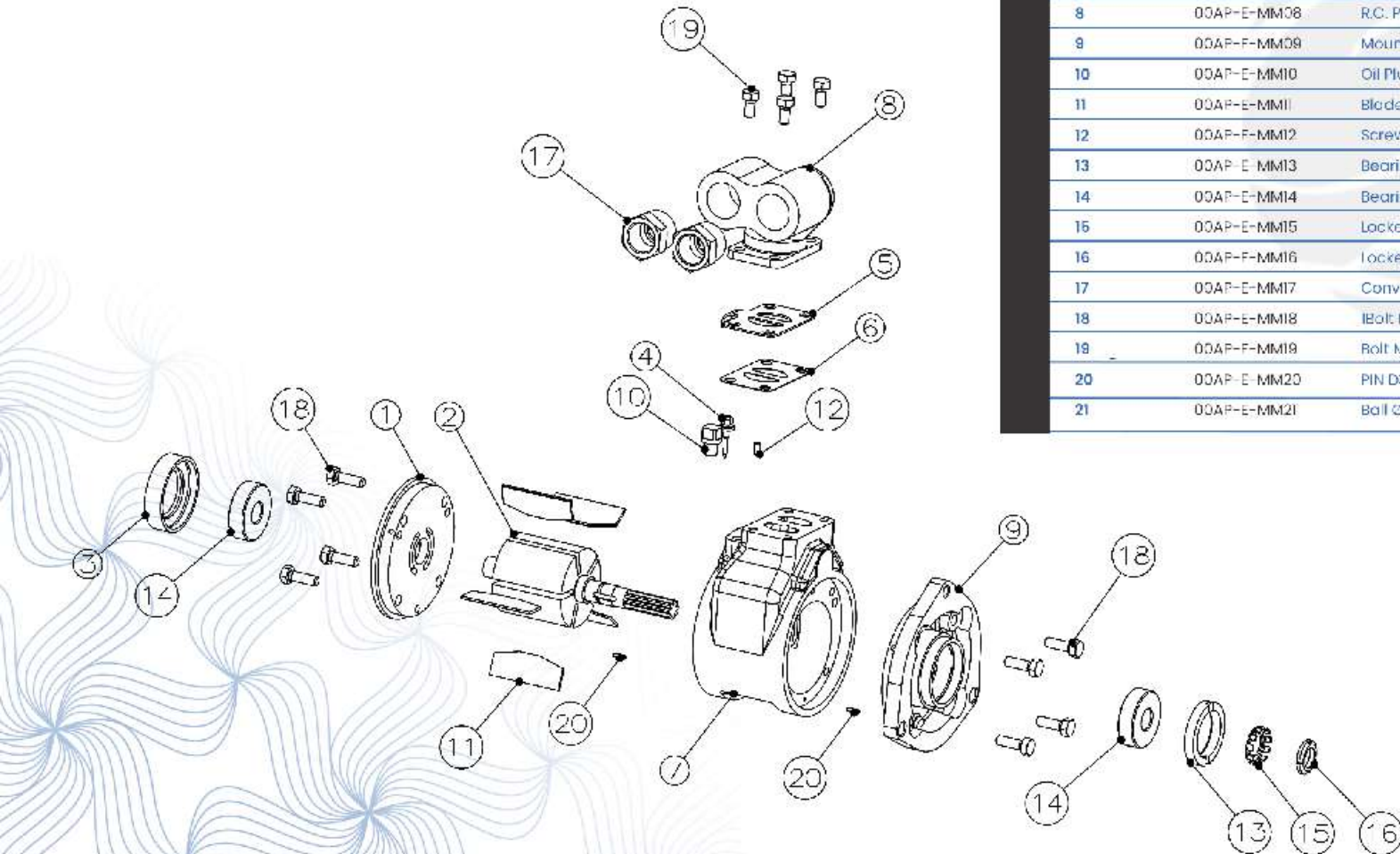
Operating Torque at 7 Bar Pressure and Maximum Speed (Nm): **5**

Main Dimensions

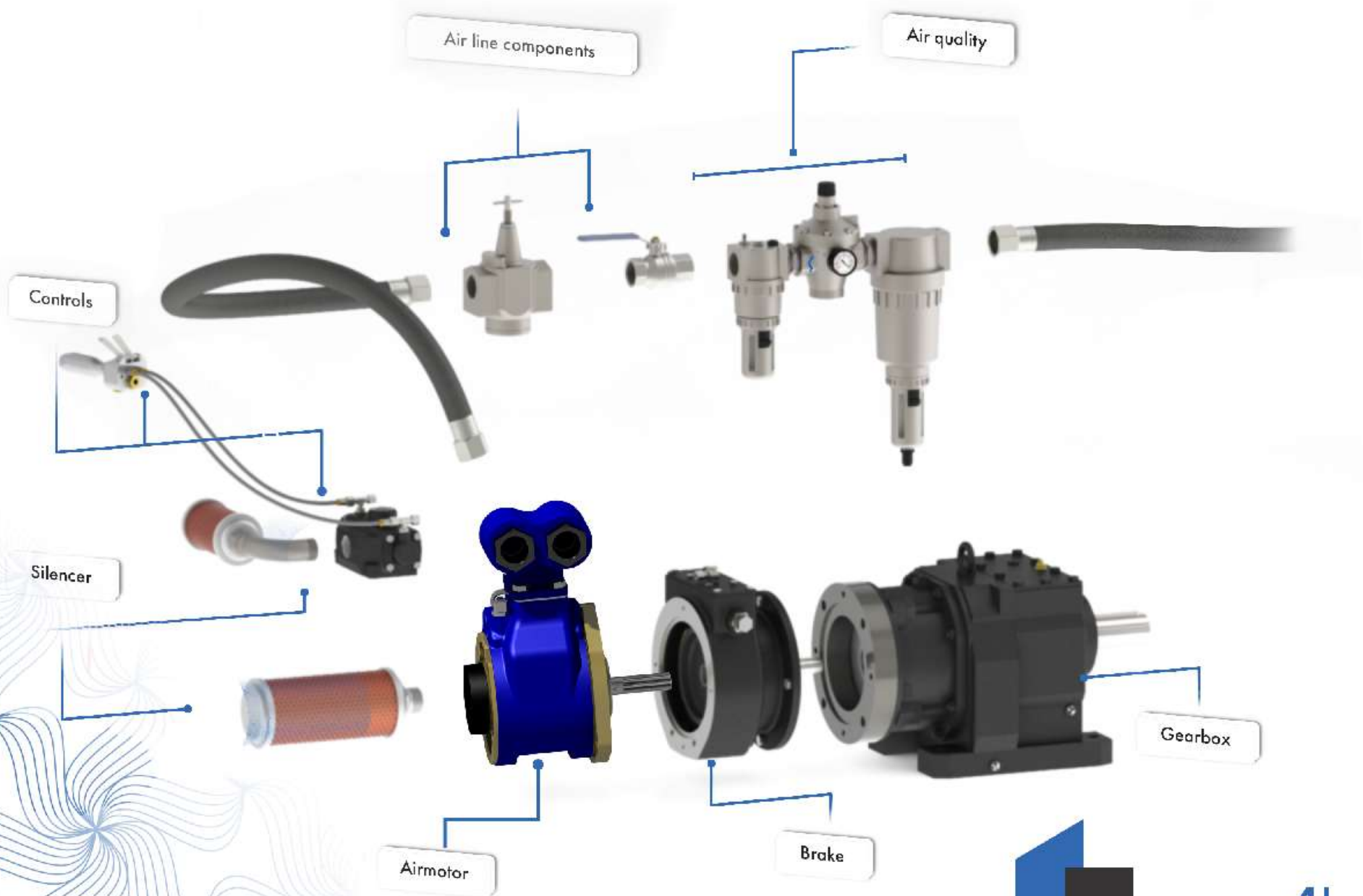


Exploded View With Spare Parts List

Item No.	Part Number	Definition	Quantity	Material
1	00AP-E-MM01	Upper End Plate	1	G-CuSn10Zn(Din 1705)
2	00AP-F-MM02	Rotor	1	18CrNi8(1.7514)
3	00AP-E-MM03	Bearing Clamp Nut	1	St 37
4	00AP-E-MM04	Needle Valve	1	Mo 40
5	00AP-E-MM05	RPlate	1	St 37
6	00AP-E-MM06	Gasket	1	Gasket Material
7	00AP-E-MM07	Liner Housing	1	GGG 40
8	00AP-E-MM08	R.C. Plug1	1	-
9	00AP-F-MM09	Mounting Flange	1	G-CuSn10Zn(Din 1705)
10	00AP-E-MM10	Oil Plug	1	St 37
11	00AP-E-MM11	Blade	5	Firbered Risen
12	00AP-F-MM12	Screw	1	Standard
13	00AP-E-MM13	Bearing Locknut	1	Mo 40
14	00AP-E-MM14	Bearing 6303 2Z	2	Standard
15	00AP-E-MM15	Locker	1	St 37
16	00AP-F-MM16	Locker nut	1	Standard
17	00AP-E-MM17	Conversion 2 St 37	2	St 37
18	00AP-E-MM18	IBolt M8x25	8	Standard
19	00AP-F-MM19	Roll M8x15	4	Standard
20	00AP-E-MM20	PIN D3x10	2	Standard
21	00AP-E-MM21	Ball Ø4	4	Standard



Accessories For The Air Motor Type B





PIONEERKA

Engineering & Manufacturing Group

Contact Us



www.pioneerka.com



[pioneerka_grp](https://www.instagram.com/pioneerka_grp)



[pioneerka_grp](https://www.linkedin.com/company/pioneerka_grp)



info@pioneerka.com



021-68152000



021-68152999



NO. 413, After Joshan ST, 17 Sharivar Blvd, Fath Hwy, Tehran, Iran